

SEALEVEL®

We put the I/O in IoT.™
Easy IoT for Restaurants



SeaConnect 370 Restaurant Freezers/Coolers Cold-Chain Monitoring Kit

Internet of Things (IoT) edge devices remotely monitor and control the status of real-world processes. Sealevel's SeaConnect 370 Restaurant Kit is configured specifically for remote cold-chain management, such as monitoring the temperatures of coolers, freezers, sandwich counters, salad prep stations and more.

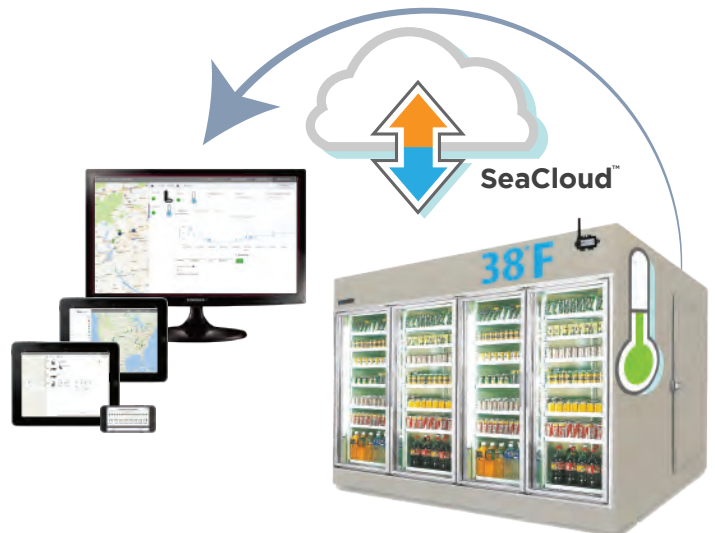
Sensor-Based Continuous Monitoring

The restaurant version of the 370 comes equipped for simultaneous cold-chain monitoring of multiple machines or spaces using wired temperature sensors. Precision monitoring features help technicians, restaurant managers and kitchen staff make informed, critical decisions about cold-chain management. With the continuous monitoring and alert systems, food waste risk can be reduced or eliminated, thus lowering food costs.

The 370 Restaurant Kit suits small kitchens or larger operations. While the base model comes with two temperature sensors, a fully configured 370 can monitor up to 10 cold-chain zones.

The SeaConnect 370 edge module uses an intuitive, responsive, web-based interface to set-up acceptable thresholds and alerts activated by conditions outside those limits. When sensors detect these conditions, such as unacceptable temperatures, the 370 can be configured to communicate with a cloud platform to send alerts via text message or email. These alerts are driven by our powerful, integrated event engine, which can also trigger actions. Actions may be as simple as switching on lights, turning on back-up power or setting off an alarm.

Consider the following situation: a component fails and a cooler malfunctions. The food products inside may



PROUDLY MADE IN THE USA

sealevel.com • 864.843.4343 • sales@sealevel.com
 Call today or visit us online.



We put the I/O in IoT.™

Easy IoT for Restaurants

exceed safe temperatures and, per new FSMA guidelines, require disposal. With Sealevel's restaurant kit, the 370 would immediately detect the rising temperature. A text message and/or email alert would go out and repair procedures could be initiated before incurring expensive food losses.

Cloud Connectivity and Cold Chain Data-Logging

The SeaConnect 370 is designed to work with the Sealevel SeaCloud IoT platform. The SeaCloud service is a secure, robust, scalable, IoT cloud platform. It can track, monitor, analyze and control data. This Software-as-a-Service (SaaS) cloud application works out-of-the-box and includes many features that allow immediate use without additional programming.

For larger restaurants or chains interested in a private-labeled service, Sealevel engineers can modify SeaCloud to meet specific requirements. The 370 also supports the free Dweet.io service, or the 370 can be customized for other cloud platforms.

Restaurant Ready Hardware and Software

Designed for simplicity, the kit comes ready for "plug and play" use. If you can plug a power cord into a wall outlet, you can set up your 370 Restaurant Kit.

The kit includes a convenient 5 VDC wall mount power supply. The temperature sensors connect to the module via intuitive latching "RJ11" cables. You may recognize RJ11 cables from old landline wall plugs or current internet network plugs. The kit also includes a cable splitter for flexibility and coupler for extended length.

We've made it easy to add additional temperature sensors - simply order the KT136 and you get two additional temperature sensors, a 25' extension cable, a 1x3 splitter and 1x1 coupler. You can also order accessories individually and build out your perfect cold-chain monitoring solution.

SeaConnect 370 Features

- Convenient 1-Wire® bus interface supports up to ten temperature probes
- (2) 12-bit differential A/D inputs, each software configurable for 0-10 VDC or 0-24 mA mode
- (2) Form C relay outputs, each rated for 30 VDC @ 1A max
- (4) Digital inputs (wet or dry contact)
- Field wiring is simplified via removable 3.5mm terminal blocks compatible with 16-30 AWG wire
- Requires 5 VDC input power @ 2A max via 2-pin removable terminal block
- Operating temperature range of -20 to +70C (-4 to +160F)
- Status LEDs for power and data activity
- Compact, plastic enclosure with mounting flanges

SeaCloud Features (Optional)

- Low monthly subscription plans with attractive volume discounts available
- Subscription plans are month-to-month with no long-term contracts
- Manage devices, provision fielded units and configure trigger actions
- Data can be automatically pushed to the cloud
- Monitor connectivity status over time and diagnose issues remotely
- Receive email and SMS alarms whenever something needs attention
- Web configuration accessible by mobile device
- Control available digital relay outputs from virtually anywhere
- Private-label options available

-20° to +70°C



Operating Temperature

24 Hour



Monitoring & Alerts

Track Online



Live Reporting & Historical Data

PROUDLY MADE IN THE USA

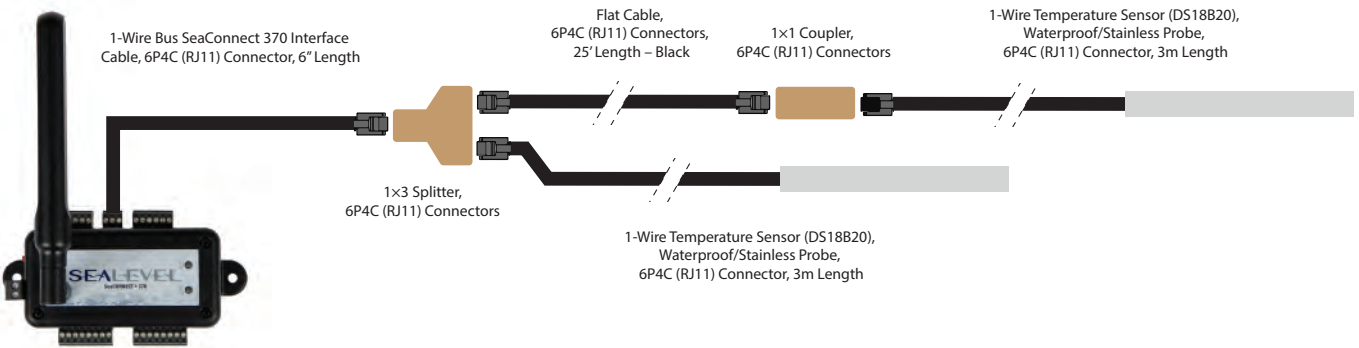
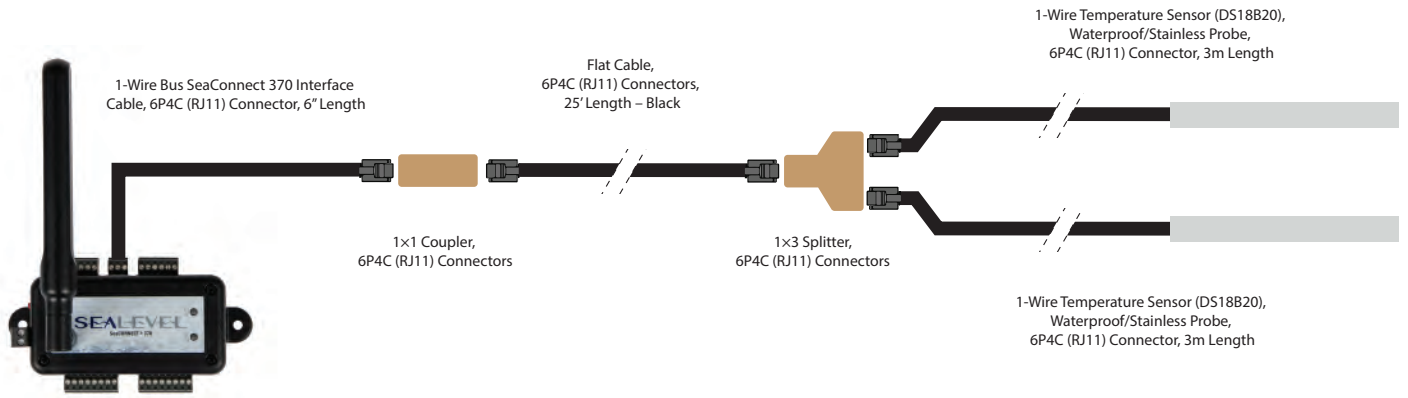
sealevel.com • 864.843.4343 • sales@sealevel.com
Call today or visit us online.
SL9300 A19

SEALEVEL®

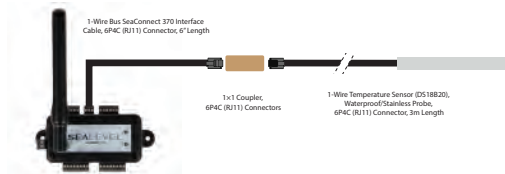
We put the I/O in IoT.™

Easy IoT for Restaurants

KT136: 1-Wire Bus Temperature Monitoring QuickStart Kit, Dual-Probe



1-Wire Bus Temperature Monitoring One Probe Example



1-Wire Bus Temperature Monitoring 10 Probe Example

