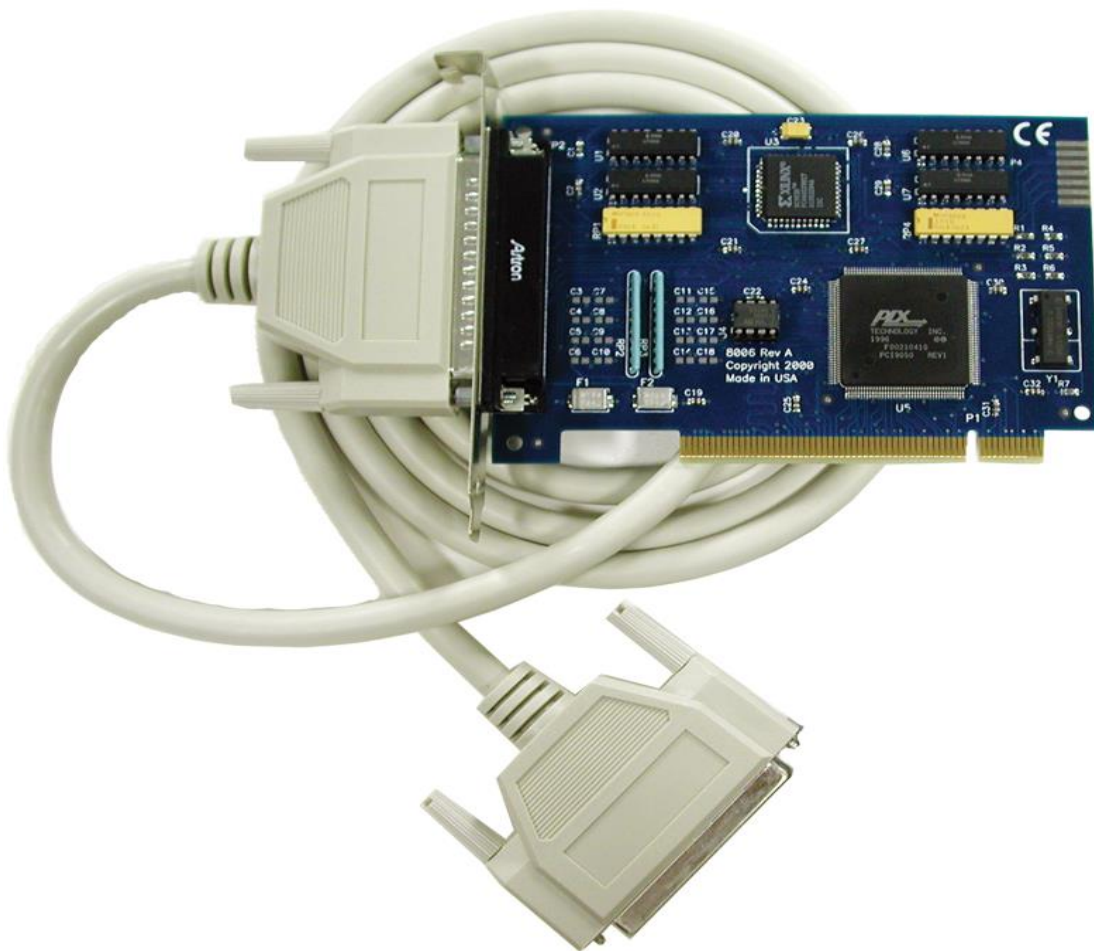


ISO-16.PCI

User Manual | 8006H



SEALEVEL®

Contents

CONTENTS 2

INTRODUCTION 3

BEFORE YOU GET STARTED 4

INSTALLATION 5

PROGRAMMING THE ISO-16.PCI 8

ELECTRICAL CHARACTERISTICS 14

SPECIFICATIONS 15

EXAMPLE CIRCUITS 16

APPENDIX A – TROUBLESHOOTING 17

APPENDIX B – HOW TO GET ASSISTANCE 18

APPENDIX C – SILK SCREEN – 8006H PCB 19

APPENDIX D – COMPLIANCE NOTICES 20

WARRANTY 21

Introduction

Overview

The ISO-16.PCI provides 16 optically isolated inputs (rated for 10-30V) to allow monitoring of off board switch closures, relays or for any other general purpose monitoring needs. The ISO-16.PCI is PCI 2.1 bus compliant.

The ISO-16.PCI is designed to be used with a variety of Operating Systems including Windows 98/NT/ME/2000/XP, Linux, and DOS. The [Seal/O API \(Application Programmer Interface\)](#) provides a variety of useful high-level function calls implemented as a Windows dynamic link library (DLL) and as a Linux kernel module and library. In addition to the API, Seal/O includes sample code and utilities to simplify software development

Other Sealevel PCI Digital I/O Products

Model No.	Part No.	Description
PIO-24.PCI	(P/N 8008)	- 24 TTL Inputs/Outputs
PIO-32.PCI	(P/N 8010)	- 32 TTL Inputs/Outputs
PIO-48.PCI	(P/N 8005)	- 48 TTL Inputs/Outputs
PIO-96.PCI	(P/N 8009)	- 96 TTL Inputs/Outputs
DIO-16.PCI	(P/N 8002)	- 8 Reed Relay Outputs/8 Opto-isolated Inputs
REL-16.PCI	(P/N 8003)	- 16 Reed Relay Outputs
DIO-32.PCI	(P/N 8004)	- 16 Reed Relay Outputs/ 16 Opto-isolated Inputs
REL-32.PCI	(P/N 8007)	- 32 Reed Relay Outputs
PLC-16.PCI	(P/N 8011)	- 8 Form C Relay Outputs/8 Opto-isolated Inputs

Before You Get Started

What's Included

The ISO-16.PCI is shipped with the following items. If any of these items is missing or damaged, please contact Sealevel for replacement.

- **ISO-16.PCI Adapter**

Advisory Conventions



Warning

The highest level of importance used to stress a condition where damage could result to the product, or the user could suffer serious injury.



Important

The middle level of importance used to highlight information that might not seem obvious or a situation that could cause the product to fail.



Note

The lowest level of importance used to provide background information, additional tips, or other non-critical facts that will not affect the use of the product.

Optional Items

Depending upon your application, you are likely to find one or more of the following items useful for interfacing the ISO-16.PCI to real-world signals. All items can be purchased from our website (<http://www.sealevel.com>) or by calling (864) 843-4343.

- **DB-37 Male to DB-37 Female 6' Cable - (Part Number CA112)**
 - This cable extends the DB-37 connector on the ISO-16.PCI to six feet and is pinned one-to-one.
- **DB-37 Male/Female Terminal Block (Part Number TB02-KT)**
 - Break out serial and digital connectors to 37 screw terminals for easy field connection. The TB02 terminal block is designed with both DB-37 male and female connectors, therefore; it can be used with any DB-37 board regardless of the board's port gender.
- **Cable and Terminal Block Kit (Part Number KT101)**
 - For convenient and easier ordering, the KT101 includes the TB02-KT terminal block and CA112 cable in a single kit.

Installation

Operating System Installation

For Windows Users

This section contains helpful information pertaining to the installation of supported Sealevel Systems, Inc. software packages. The [SealO software](#) includes drivers, utilities, and programming samples for Windows and Linux to aid in the development of reliable applications for the Sealevel Systems family of Digital I/O adapters.



To install Sealevel software, you must log in as an administrator or have administrator privileges in Windows



Do not connect the hardware until the software has been successfully installed.

Begin by locating, selecting, and installing the correct software from the [Sealevel software driver database](#).

1. Sealevel software for Windows and Linux operating systems is available at these links:
 - [Software for Windows](#)
 - [Software for Linux](#)
2. Choose the link for the desired software package and click on the 'Download File' link to download the current driver.
3. A screen may appear with the declaration: "The publisher cannot be determined due to the problems below: Authenticode signature not found." Please select the 'Yes' button and proceed with the installation. This declaration simply means that the Operating System is not aware of the driver being loaded. It will not cause any harm to your system.
4. During setup the user may specify installation directories and other preferred configurations. This program also adds entries to the system registry that are necessary for specifying the operating parameters for each driver. An uninstall option is also included to remove all registry/INI file entries from the system.

SealO Software can also be downloaded from the 8006H-product webpage: [ISO-16.PCI Product page](#).



Windows NT Card Installation: After accomplishing the above steps, bring up the Control Panel and double-click on the SealO Devices icon. To install a new card, click "Add Port." Repeat this procedure for as many SealO cards as you wish to install.

Operating System Installation, Continued

Other Operating Systems

Refer to the appropriate section of the Serial Utilities Software.

LINUX INSTALLATION

Refer to [Linux Archives - Sealevel](#). This link contains valuable information on installing your serial adapter in the various Linux releases. Also included is a series of files explaining proper Linux syntax and typical Linux serial implementations.

For additional software support, please call Sealevel Systems' Technical Support, (864) 843-4343. Our technical support is free and available from 8:00AM-5PM Eastern Time, Monday through Friday. For email support contact: <mailto:support@sealevel.com>.

INSTALLATION, CONTINUED

Hardware Installation

The adapter can be installed in any 5V PCI expansion slot.



Do not install the Adapter in the machine until the software has been fully installed.

- 1. Turn off PC power. Disconnect the power cord.**
2. Remove the PC case cover.
3. Locate an available 5V PCI slot and remove the blank metal slot cover.
4. Gently insert the PCI adapter into the slot. Make sure that the adapter is seated properly.
5. After the adapter has been installed, the cables should be routed thru the opening in the bracket. This bracket also features a strain relief function that should be used to prevent un-expected cable removal.
6. Replace the screw you removed for the blank and use it to secure the adapter into the slot. (This is required to ensure FCC Part 15 compliance.)
7. Replace the cover.
8. Connect the power cord

Installation is finished.

Programming the ISO-16.PCI

Sealevel's Seal/O software is provided to assist in the development of reliable applications for the Sealevel Systems family of digital I/O adapters. The software also includes driver functions for use in accessing the I/O as well as helpful samples and utilities.

Programming for Windows

The Seal/O API (Application Programmer Interface) provides a variety of useful high-level function calls implemented in a Windows dynamic link library (DLL). The API is defined in the help file (Start/Programs/SealO/SealO Help) under "Application Programmers Interface". This help file also includes detailed information dealing with installation / removal of the software and information about latency, logic states, and device configuration.

For C language programmers we recommend using the API to access the ISO-16.PCI. If you are programming in Visual Basic, using the ActiveX control included with Seal/O is advised.

Samples and Utilities

A variety of sample programs and utilities (both executable and source code) are included with Seal/O. Further documentation on these samples can be found by selecting "Start/Programs/Seal/O/Sample Application Description". Information about where the files are physically stored on your disk is also included in this same file.

Programming for Linux

Seal/O for Linux consists of two major parts: a kernel module and a library. The kernel module is a simple IO pass-through device, allowing the library to handle the more sophisticated functions provided to Seal/O users. It is provided in a 'tarball' format and can easily be compiled and included in the kernel build.

Digital I/O Interface

The ISO-16.PCI provides two parallel input ports. Port A and B are interfaced to optically isolated inputs. Assuming an I/O address of 300 Hex the following table shows the Port Addresses.

Base Address	Hex	Decimal	Mode
Port A Address	300	768	Input Port
Port B Address	301	769	

PROGRAMMING THE ISO-16.PCI, CONTINUED

Input Ports

Ports A and B are 8-bit input ports connected to optically isolated input sensors. Each sensor can be used to interface a voltage input and then sense whether the voltage is on or off. Each sensor is isolated (with respect to a common ground) from every other sensor, and also isolated with respect to the host PC ground. This means that signals such as low-level AC line voltage, motor servo voltage, and control relay signals can be 'sensed', or read by the PC, without the risk of damage due to ground loops or ground faults.

Each sensor input pair has a current limiting resistor that is used to limit the input current to the opto-isolator. The opto-isolator has two 'back-to-back' diodes internally. This allows AC or DC signals to be sensed, regardless of polarity. When the applied voltage is high enough to cause the led in the opto-isolator to turn-on, the output of the opto-isolator goes low (0 volts), and the signal is read as a low logic level (binary 0) by the PC. When the input signal is too low to turn on the opto-isolator, the output goes high, and the port bit is read by the PC as a high logic level (binary 1).

The input impedance of each isolated input is approximately 560 ohms (factory default). The opto-isolator requires approximately 3mA to turn on. The maximum input current is 50mA. There are two things to consider when selecting the input resistor. The first is turn on voltage for the circuit to sense, and second is the maximum input voltage. Maximum input voltage must not provide too much power to the input resistor and must also not overdrive the opto-isolator input current specification. The following formulas apply:

$$\text{Turn on Voltage} = \text{diode drop} + (\text{turn on current}) \times (\text{resistance}) \text{ [Ex: } 1.1 + (.003) \times R \text{]}$$

$$\text{Input Current} = ((\text{input voltage}) - 1.1\text{V}) / (\text{resistor value})$$

$$\text{Maximum voltage} = 1.1 + \text{square root of } (.25(\text{resistor value}))$$

PROGRAMMING THE ISO-16.PCI, CONTINUED

The following table shows common input resistors and the ranges associated with each.

Input Resistor	Turn-On	Input Range	Max Input	Max Current
220Ω	1.8V	1.8 – 7.0V	8.5V	27mA
560Ω	2.8V	2.8 – 10.6V	12.9V	20mA
1KΩ	4.1V	4.1 – 13.8V	16.9V	15mA
2.2KΩ	7.7V	7.7 – 20.0V	24.5V	10mA
3.3KΩ	10.0V	10.0 – 24.0V	30.0V	9mA
4.7KΩ	15.2V	15.2 – 28.0V	35.0V	7mA



The turn-off voltage for all resistors is less than 1V.

Increasing the input resistor accordingly can increase the maximum input voltage. Because socketed DIP resistors are utilized, they can easily be replaced with a different value. Sealevel can do this, if necessary.



The input circuits are not intended for monitoring 120-volt AC circuits. In addition to being too high a voltage for the circuits, it is dangerous to have that high a voltage on the card.

PROGRAMMING THE ISO-16.PCI, CONTINUED

Pin Assignments

Port A Bit	P1
A0	18,37
A1	17,36
A2	16,35
A3	15,34
A4	14,33
A5	13,32
A6	12,31
A7	11,30
B0	10,29
B1	9, 28
B2	8,27
B3	7,26
B4	6,25
B5	5,24
B6	4,23
B7	3,22
Ground	2,20,21
+ 12 Volts	19
+ 5 Volts	1



For ease in wiring, the card's DB37 connector can be interfaced directly to the Sealevel terminal block kit, Item# KT-101. This kit includes a 6' Male/Female cable (Item# CA112) and terminal block with screw terminals (Item# TB02) which provides a simple means to connect field wiring to Sealevel DB37 I/O cards. The TB02 provides both male and female DB37 connectors, eliminating the need for gender benders and other adapters while simplifying cable connections.

PROGRAMMING THE ISO-16.PCI, CONTINUED

Direct Hardware Control

In systems where the user's program has direct access to the hardware (DOS) the table below gives the mapping and functions that the **ISO-16.PCI** provide. The address of each eight-bit port is calculated as shown in the table on the following page, the cards base address plus an offset.

Reading the Inputs

The inputs are active Low. If no voltage is applied across one of the differential inputs, it returns a one on that bit. If an AC or DC voltage (of sufficient magnitude, covered above) is applied it returns a zero on that bit.

Function Available	Port	Address Hex
R	A	Base + 0
R	B	Base + 1

R = Read

Register Description

Address	Mode	D7	D6	D5	D4	D3	D2	D1	D0
Base+0	R/W	PAD7	PAD6	PAD5	PAD4	PAD3	PAD2	PAD1	PAD0
Base+1	R/W	PBD7	PBD6	PBD5	PBD4	PBD3	PBD2	PBD1	PBD0
Base+2	R	{0}	{0}	{0}	{0}	{0}	{0}	{0}	{0}
Base+3	R	{0}	{0}	{0}	{0}	{0}	{0}	{0}	{0}
Base+4	R	{0}	{0}	{0}	{0}	{0}	{0}	{0}	{0}
Base+5	R/W	IRQEN	IRQST	{0}	{0}	{0}	{0}	IRC1	IRC0
Base+6	R	{0}	{0}	{0}	{0}	{0}	{0}	{0}	{0}
Base+7	R	{0}	{0}	{0}	{0}	{0}	{0}	{0}	{0}

Interrupt Control

When enabled, interrupts are generated on Port A bit D0.

IRQEN	Interrupt enable	1 = enabled	0 = disabled (0 on power up)
IRC0	Interrupt mode select, see table below		
IRC1	Interrupt mode select, see table below		

PROGRAMMING THE ISO-16.PCI, CONTINUED

Interrupt Mode Select Table

Interrupt source is Base+0 bit D0. When selecting the Interrupt Type, always disable interrupts prior to changing or setting states. This will help prevent inadvertent or unexpected interrupts from occurring.

IRC1	IRC0	Interrupt Type
0	0	Low Level
0	1	High Level
1	0	Falling Edge
1	1	Rising Edge



When using the High and Low Level interrupts, an interrupt occurs when input D0 changes to either a High or Low state. This will cause the computer to remain in an interrupt state until the input state changes.

Interrupt Read

Reading the Interrupt Status port (Base+5) clears any interrupt pending.

IRQST	(D0) Interrupt Status	1 = interrupt pending, 0 = none
-------	-----------------------	---------------------------------

Electrical Characteristics

Features

- 2 eight bit input ports
- DB-37 Female connector
- Multiple adapters can reside in same computer
- PCI 2.1 Bus compatible

Specifications

Input Ports

Turn On Current	3mA
Isolator Diode Drop	1.1 VDC
Resistor Power Max	.25 W
Maximum Input Range	10 – 30 VDC/VAC

Environmental Specifications

Specification	Operating	Storage
Temperature Range	0° to 70° C	-50° to 105° C

Manufacturing

All Sealevel Systems Printed Circuit boards are built to UL 94V0 rating and are 100% electrically tested. These printed circuit boards are solder mask over bare copper or solder mask over tin nickel.

Power Requirements

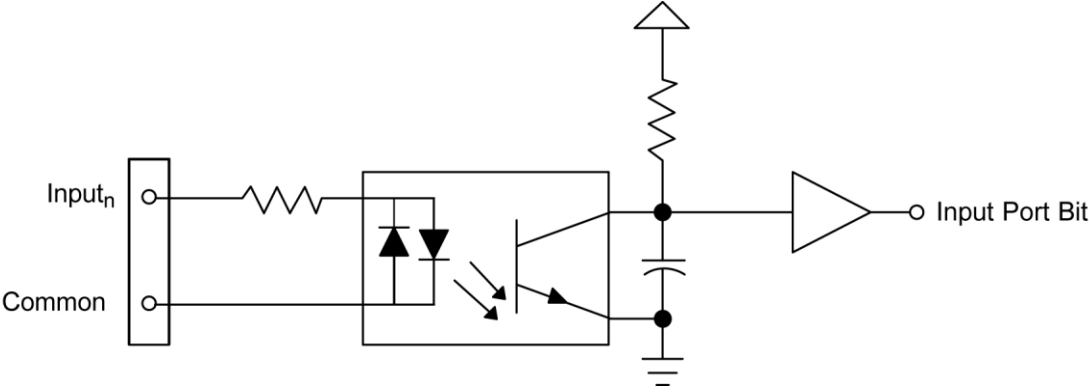
Supply Line	+5 VDC	+12 VDC
Rating	260mA	(Optional Use)

Physical Dimensions

PCB Length	5.2" (13.2 cm)
PCB Height	3.5" (8.9 cm, including Goldfingers)

Example Circuits

Input Circuit



Appendix A – Troubleshooting

Sealevel Software is supplied with the Sealevel Systems adapter and will be used in the troubleshooting procedures. By using this software and following these simple steps, most common problems can be eliminated without the need to call Technical Support.

1. **Install software first.** After installing the software then proceed to adding the hardware. This places the required installation files in the correct locations.
2. Read this manual thoroughly before attempting to install the adapter in your system.
3. Use Device Manager under Windows to verify proper installation.
4. Use the Seal/O Control Panel applet or the Device Manager's property page for card identification and configuration.

If these steps do not solve your problem, please call Sealevel Systems' Technical Support, (864) 843-4343. Our technical support is free and available from 8:00AM-5PM Eastern Time, Monday through Friday. For email support contact: support@sealevel.com.

Appendix B – How To Get Assistance

Please refer to: Appendix A – Troubleshooting Guide prior to calling Technical Support.

Begin by reading through the Trouble Shooting Guide in Appendix A. If assistance is still needed, please see below.

When calling for technical assistance, please have your user manual and current adapter settings. If possible, please have the adapter installed in a computer ready to run diagnostics.

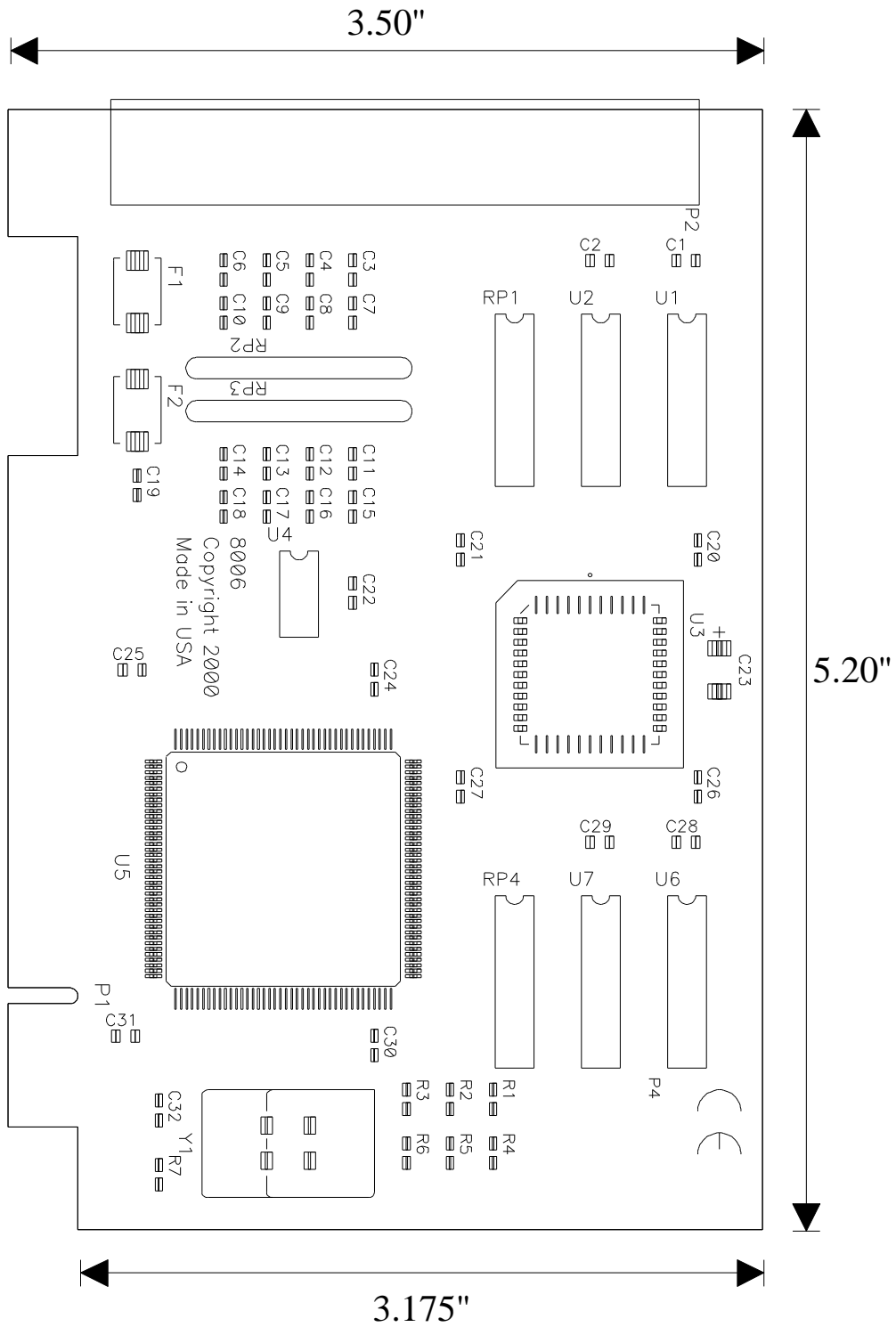
Sealevel Systems provides an FAQ section on its web site. Please refer to this to answer many common questions. This section can be found at <http://www.sealevel.com/faq.asp>.

Sealevel Systems maintains a web page on the Internet. Our home page address is www.sealevel.com. The latest software updates, and newest manuals are available via our web site.

Technical support is available Monday to Friday from 8:00 a.m. to 5:00 p.m. eastern time. Technical support can be reached at (864) 843-4343.

RETURN AUTHORIZATION MUST BE OBTAINED FROM SEALEVEL SYSTEMS BEFORE RETURNED MERCHANDISE WILL BE ACCEPTED. AUTHORIZATION CAN BE OBTAINED BY CALLING SEALEVEL SYSTEMS AND REQUESTING A RETURN MERCHANDISE AUTHORIZATION (RMA) NUMBER.

Appendix C – Silk Screen – 8006H PCB



Appendix D – Compliance Notices

Federal Communications Commission (FCC) Statement



This equipment has been tested and found to comply with the limits for Class A digital device, pursuant to Part 15 of the FCC Rules. These limits are designed to provide reasonable protection against harmful interference when the equipment is operated in a commercial environment. This equipment generates, uses, and can radiate radio frequency energy and, if not installed and used in accordance with the instruction manual, may cause harmful interference to radio communications. Operation of this equipment in a residential area is likely to cause harmful interference in such case the user will be required to correct the interference at the user's expense.

EMC Directive Statement



Products bearing the CE Label fulfill the requirements of the EMC directive (89/336/EEC) and of the low-voltage directive (73/23/EEC) issued by the European Commission. To obey these directives, the following European standards must be met:

- **EN55022 Class A** - "Limits and methods of measurement of radio interference characteristics of information technology equipment"
- **EN55024** – "Information technology equipment Immunity characteristics Limits and methods of measurement".



This is a Class A Product. In a domestic environment, this product may cause radio interference in which case the user may be required to take adequate measures to prevent or correct the interference.



Always use cabling provided with this product if possible. If no cable is provided or if an alternate cable is required, use high quality shielded cabling to maintain compliance with FCC/EMC directives.

Warranty

Sealevel's commitment to providing the best I/O solutions is reflected in the Lifetime Warranty that is standard on all Sealevel manufactured I/O products. We are able to offer this warranty due to our control of manufacturing quality and the historically high reliability of our products in the field. Sealevel products are designed and manufactured at its Liberty, South Carolina facility, allowing direct control over product development, production, burn-in and testing. Sealevel achieved ISO-9001:2015 certification in 2018.

Warranty Policy

Sealevel Systems, Inc. (hereafter "Sealevel") warrants that the Product shall conform to and perform in accordance with published technical specifications and shall be free of defects in materials and workmanship for the warranty period. In the event of failure, Sealevel will repair or replace the product at Sealevel's sole discretion. Failures resulting from misapplication or misuse of the Product, failure to adhere to any specifications or instructions, or failure resulting from neglect, abuse, accidents, or acts of nature are not covered under this warranty.

Warranty service may be obtained by delivering the Product to Sealevel and providing proof of purchase. Customer agrees to ensure the Product or assume the risk of loss or damage in transit, to prepay shipping charges to Sealevel, and to use the original shipping container or equivalent. Warranty is valid only for original purchaser and is not transferable.

This warranty applies to Sealevel manufactured Product. Product purchased through Sealevel but manufactured by a third party will retain the original manufacturer's warranty.

Non-Warranty Repair/Retest

Products returned due to damage or misuse and Products retested with no problem found are subject to repair/retest charges. A purchase order or credit card number and authorization must be provided in order to obtain an RMA (Return Merchandise Authorization) number prior to returning Product.

How to obtain an RMA (Return Merchandise Authorization)

If you need to return a product for warranty or non-warranty repair, you must first obtain an RMA number. Please contact Sealevel Systems, Inc. Technical Support for assistance:

Available	Monday – Friday, 8:00AM to 5:00PM EST
Phone	864-843-4343
Email	support@sealevel.com

Trademarks

Sealevel Systems, Incorporated acknowledges that all trademarks referenced in this manual are the service mark, trademark, or registered trademark of the respective company.